

LTE/GPS Magnet- Klebeantenne mit Filter

LTE and GNSS Magnetic



FEATURES

Magnetic Mount

Ground Plane Independent

Cable 1: Cellular/LTE (698-960, 1710-2170 and 2500-2700 MHz)

Cable 2: GPS/GLONASS/Galileo/QZSS (1575-1606 MHz)

80 x 76 x 13 mm

IP67

Customizable Cable and Connector

ANTENNA AND ELECTRICAL SPECIFICATIONS

Cable 1

Parameters	Cellular/LTE Antenna		
Standards	2G,3G and 4G		
Band (MHz)	700/850/900	1700/1800/1900/2100	2600
Frequency(MHz)	698-960	1710-2170	2500-2700
Return Loss (dB)	~-11.6	~-8.3	~-13.7
VSWR	~2.0:1	~2.3:1	~1.6:1
Efficiency (%)	~51.1	~27.9	~43.6
Peak Gain (dBi)	~2.8	~2.6	~4.3
Average Gain (dB)	~-3.0	~-5.6	~-3.6
Impedance (Ohm)	50		
Polarization	Linear		
Radiation Pattern	Omni-Directional		
Max Input Power (W)	25		
Connector Type	SMA-Male Standard (Other Connectors Available)		
Cable Length	300 cm Standard (Any Cable Length Available)		
Cable Type	DACAR302 Standard (Other Cables Available)		

Antenna Measurement Conditions

Mounted on 30 x 30 x 0.25 cm Metal Plate

200 cm of Cable DACAR302

Measured in Certified CTIA 3D Anechoic Chamber

Cable 2

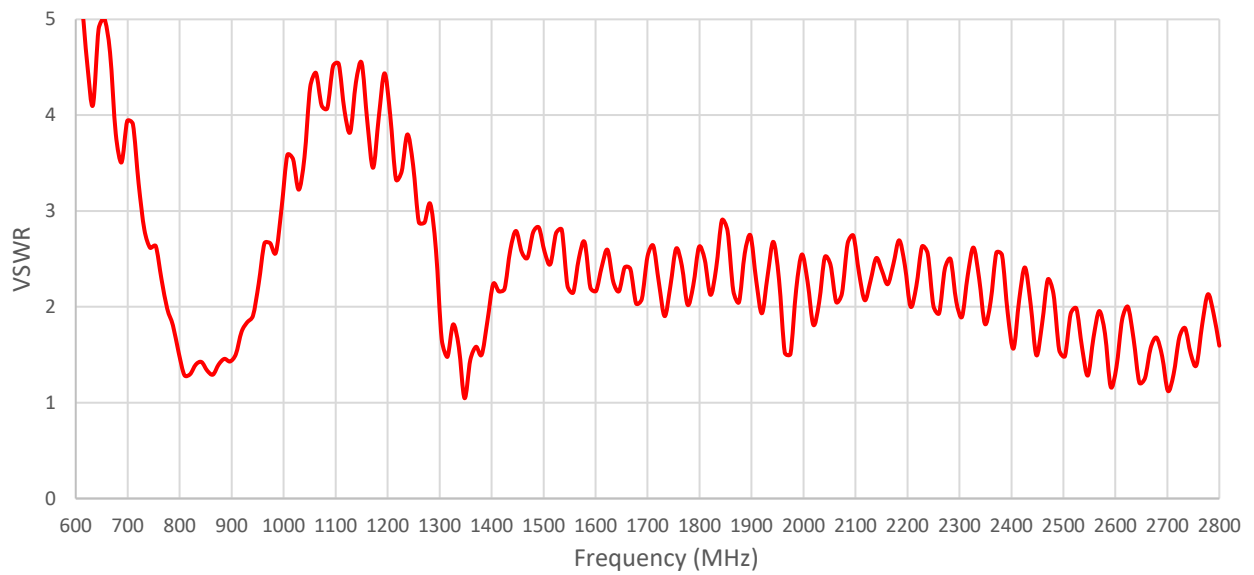
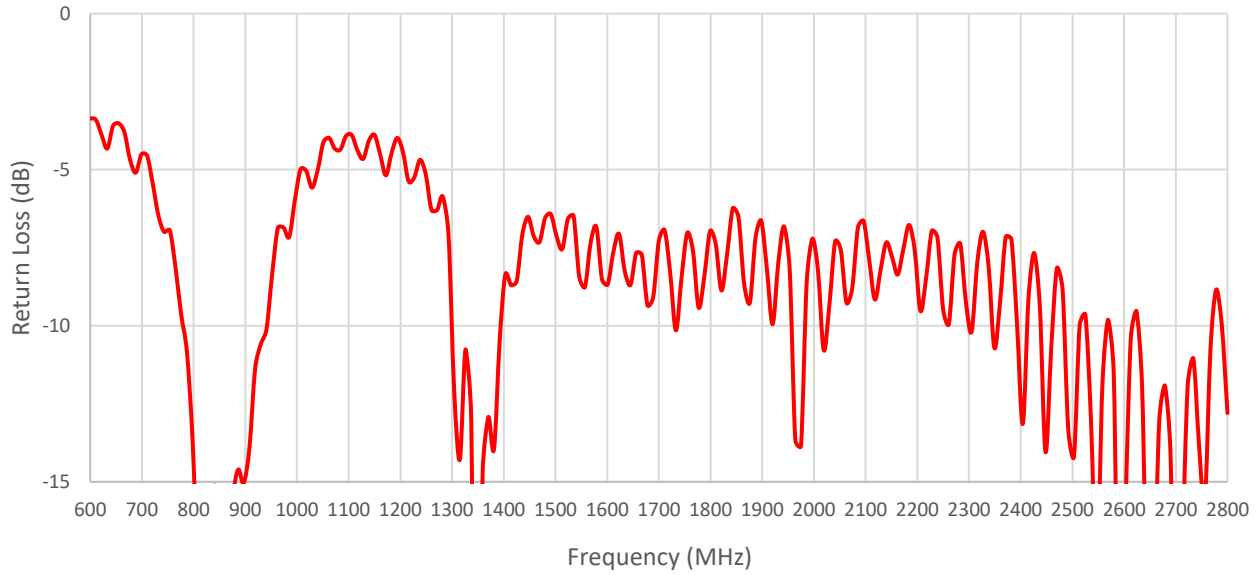
Parameters	GPS/GLONASS Antenna	
Standards	GPS/QZSS/Galileo	GLONASS
Bands (MHz)	1575	1602
Frequency (MHz)	1575.42	1598-1606
Patch Size (mm)	25 x 25 x 4	
Return Loss (dB)	<=-15.0 dB	
VSWR	<=1.4:1 dB	
Impedance	50	
Radiation Pattern	Hemispherical	
Polarization	RHCP	
Saw Filter	Pre-filter	
Active Gain (dB)	28 @ 2.7 V	
Noise Figure (dB)	1.5 Typ	
Voltage (V)	1.5 – 3.6	
Current (mA)	9 Typ	
Power Consumption (mW)	24.3 Typ	
ESD Protection	2kV	
Connector Type	SMA-Male Standard (Other Connectors Available)	
Cable Length (m)	300 cm Standard (Any Cable Length Available)	
Cable Type	LMR100 Standard (Other Cables Available)	

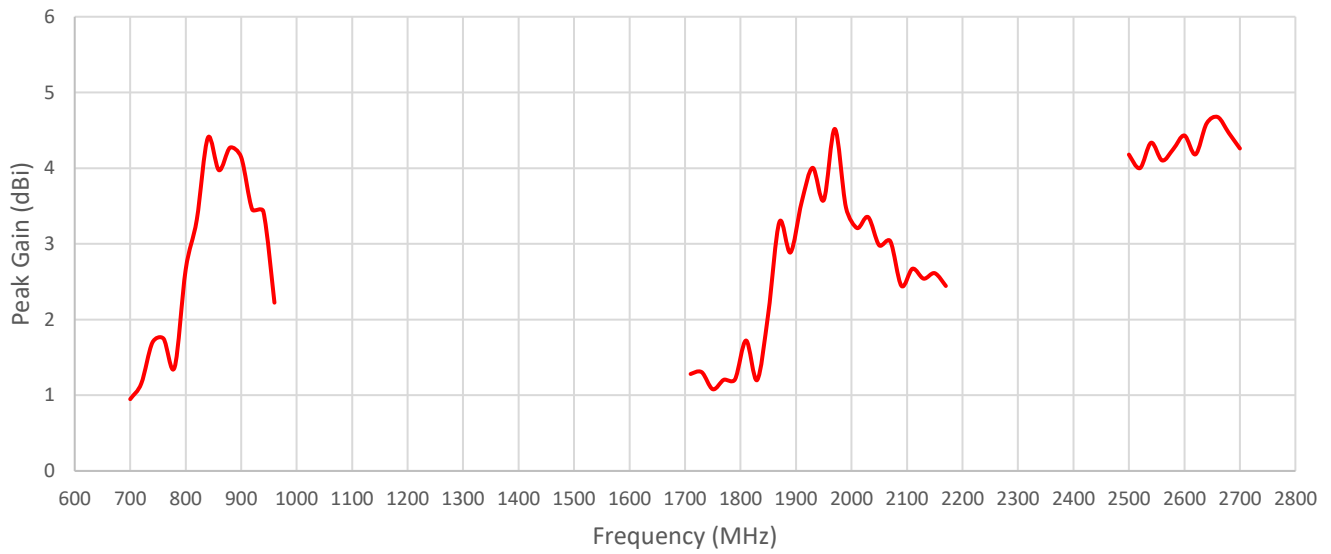
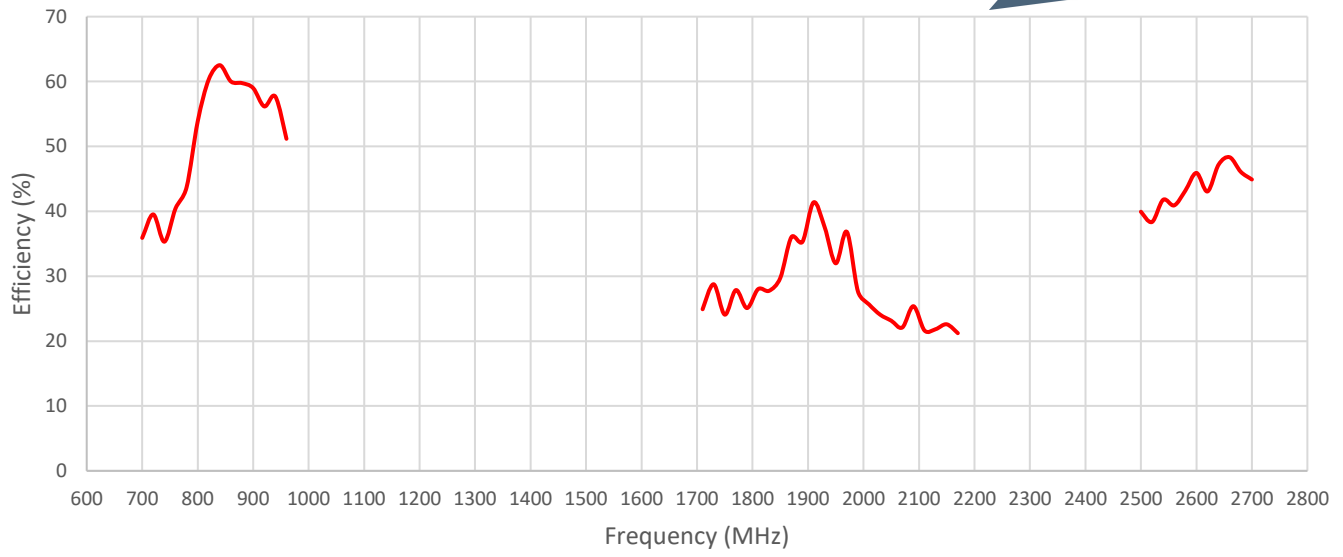
MECHANICAL AND ENVIRONMENTAL SPECIFICATIONS

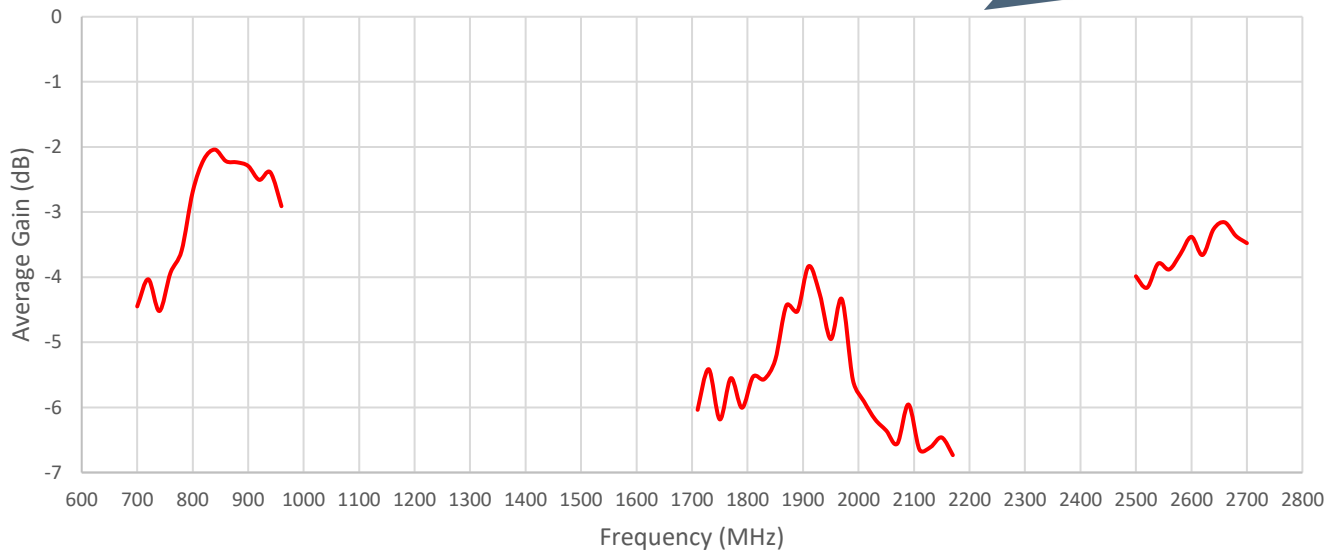
Specifications	
Mounting Type	Magnetic Mount
Dimensions (mm)	80 x 76 x 13
Radome Type	ABS UV Stable
Radome Color	Black or White
Operating Temperature (C)	-40 to +85
Storage Temperature (C)	-40 to +85
Certification	IP67
Substance Compliance	RoHS

ANTENNA PARAMETERS

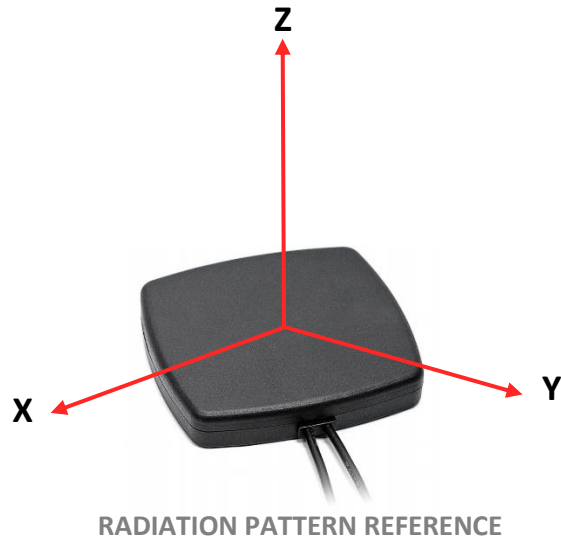
Table 1: CELLULAR/LTE



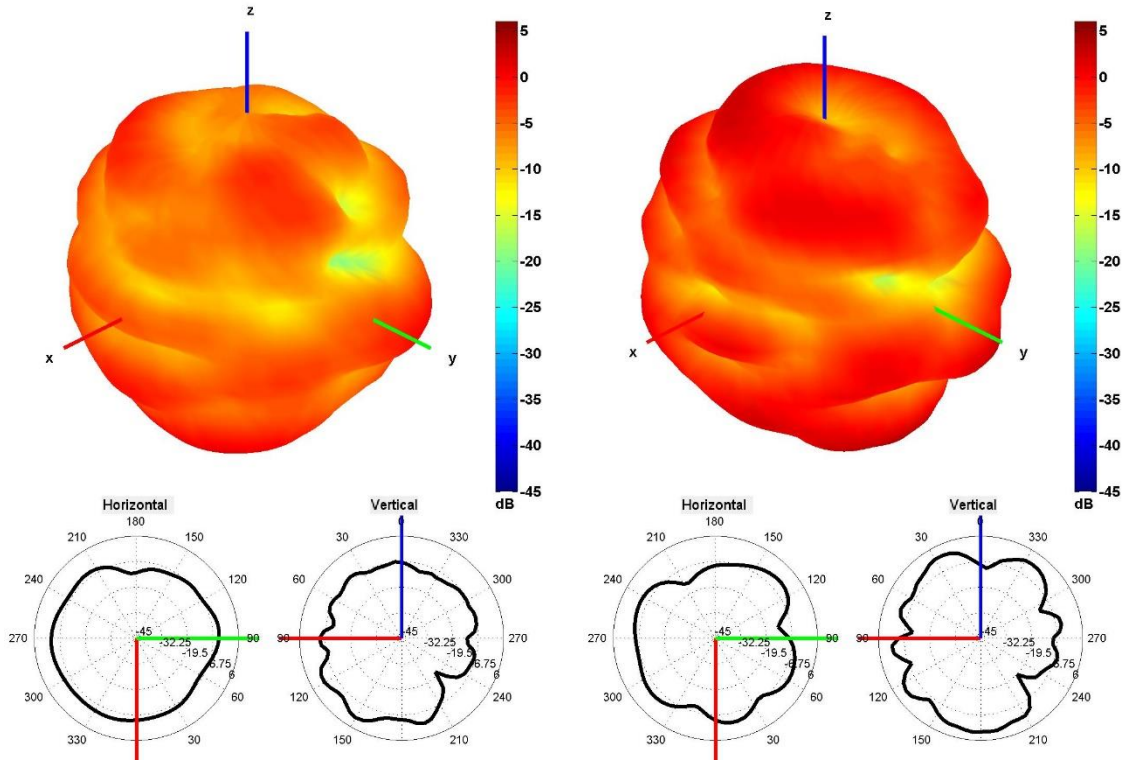




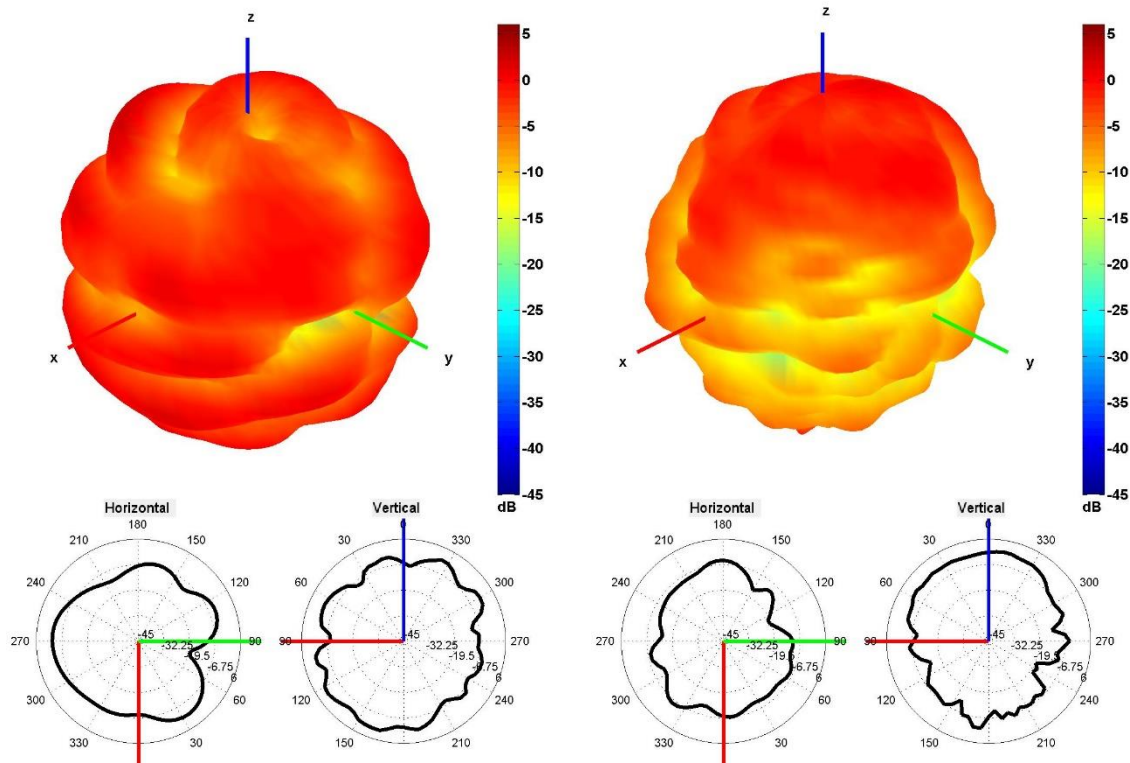
RADIATION PATTERNS



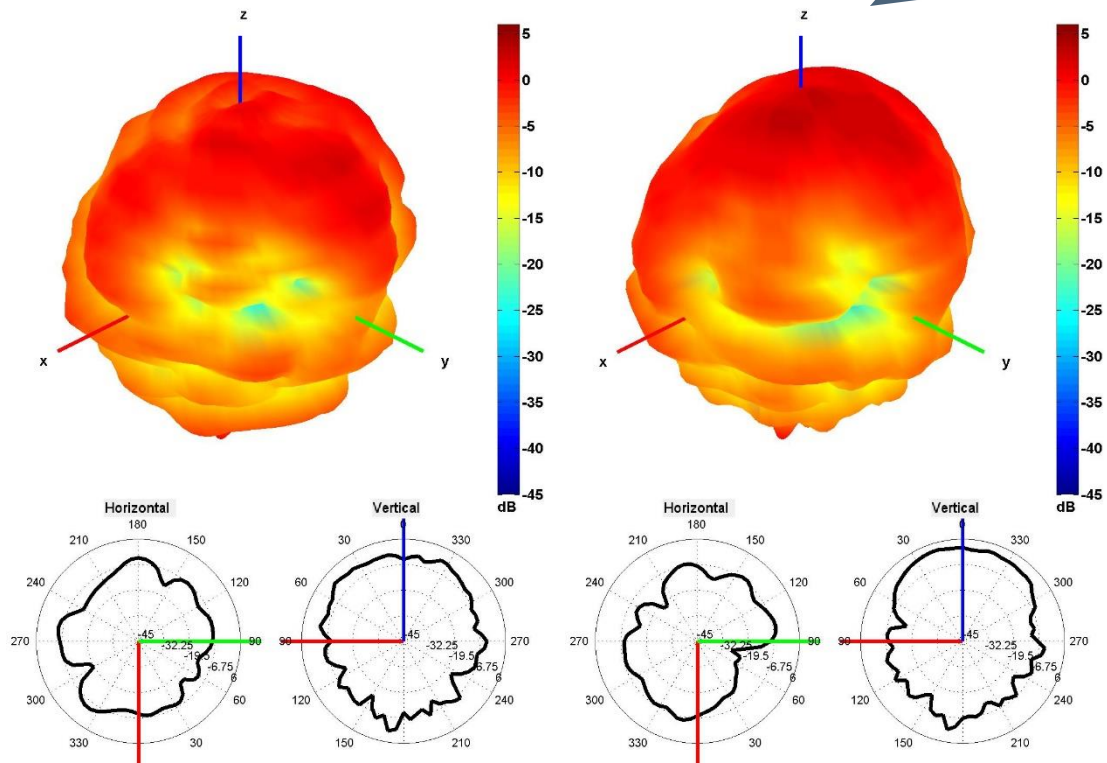
Cable 1: CELLULAR/LTE



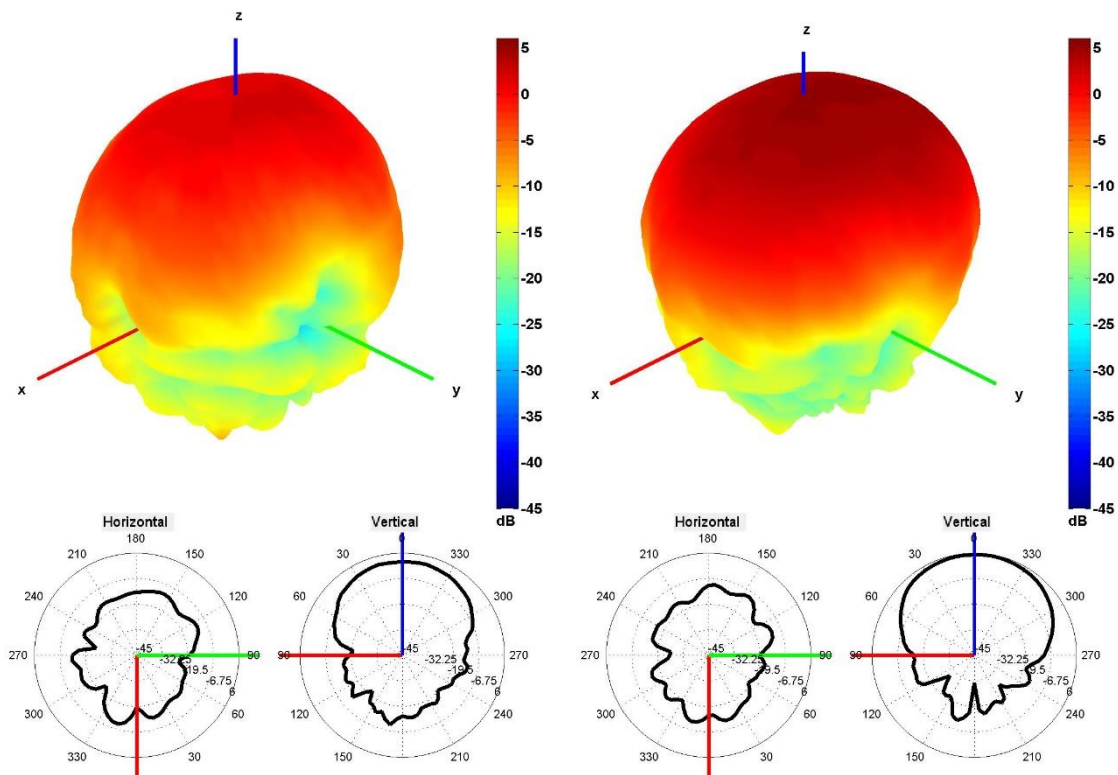
750 AND 850 MHz RADIATION PATTERN



940 AND 1750 MHz RADIATION PATTERN

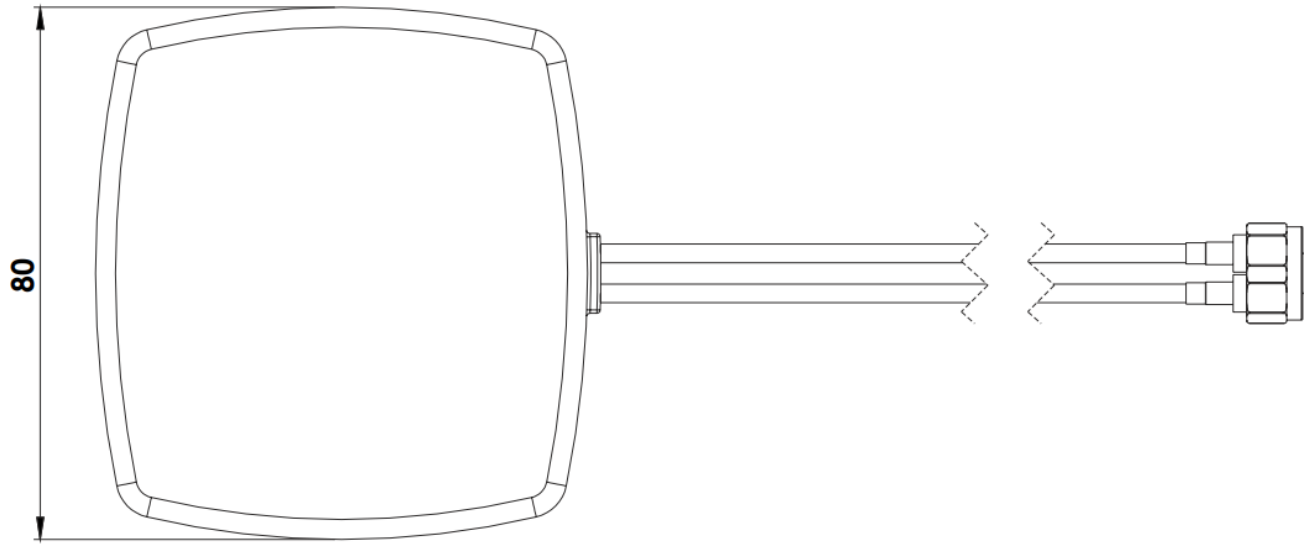
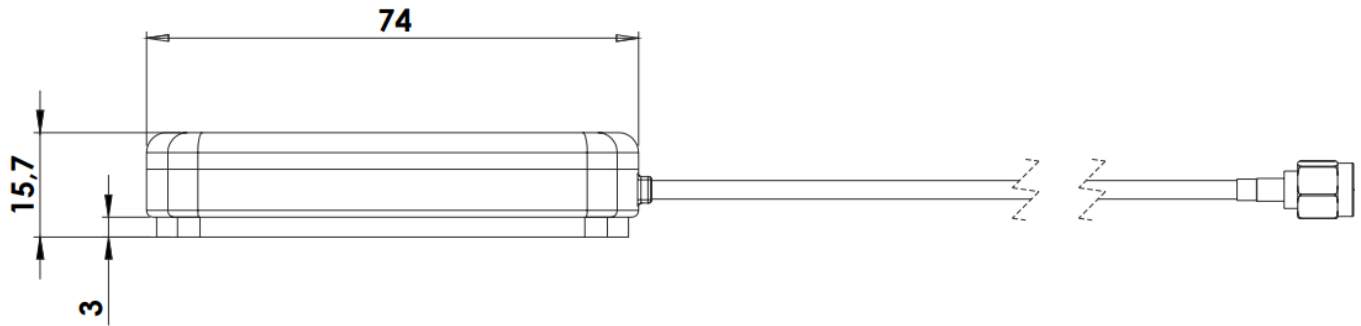


1850 AND 1950 MHz RADIATION PATTERN



2100 AND 2600 MHz RADIATION PATTERN

ANTENNA DRAWINGS



ANTENNA IMAGES

